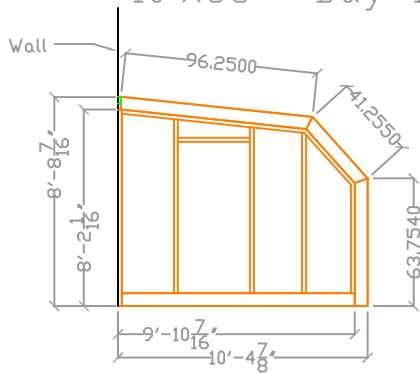
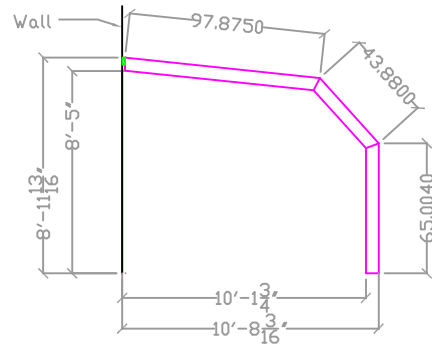


# 10'x56' 8-Bay Lean-to

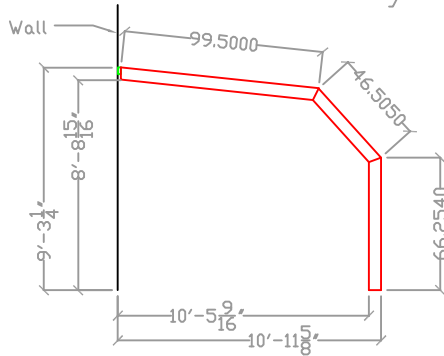
10'x56'- Bay 1



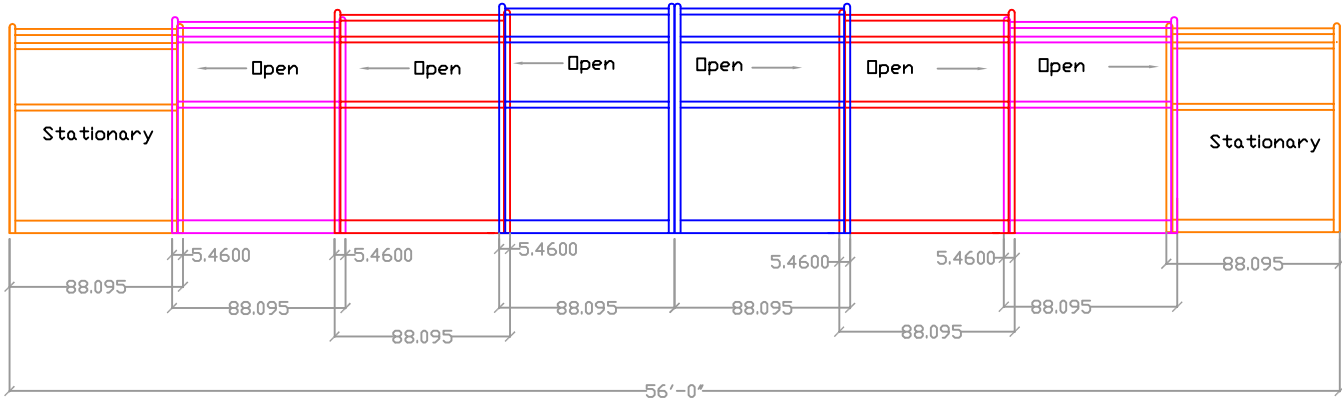
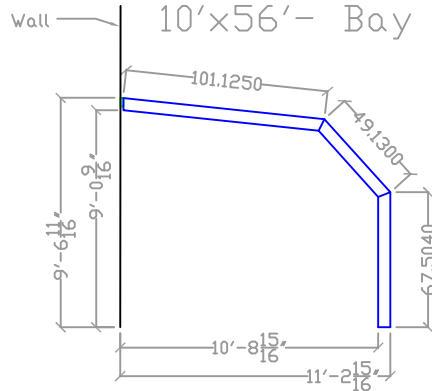
10'x56'- Bay 2



10'x56'- Bay 3



10'x56'- Bay 4



www.Roll-A-Cover.com

**Roll-A-Cover**  
36 Sargent Drive  
Bethany, CT 06524

Tel: 203-393-7292  
Fax: 203-393-7298

Job Title: Lean-to Specifications

Date:

Drawing Name: 8LT44-108

Scale: 1/8" = 1'