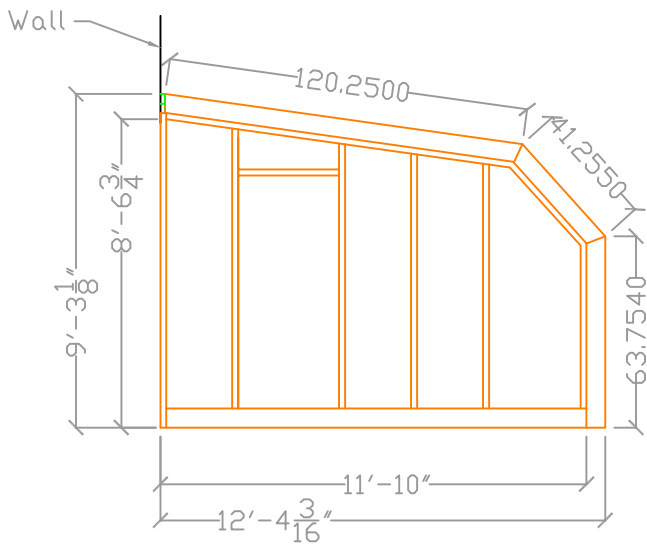
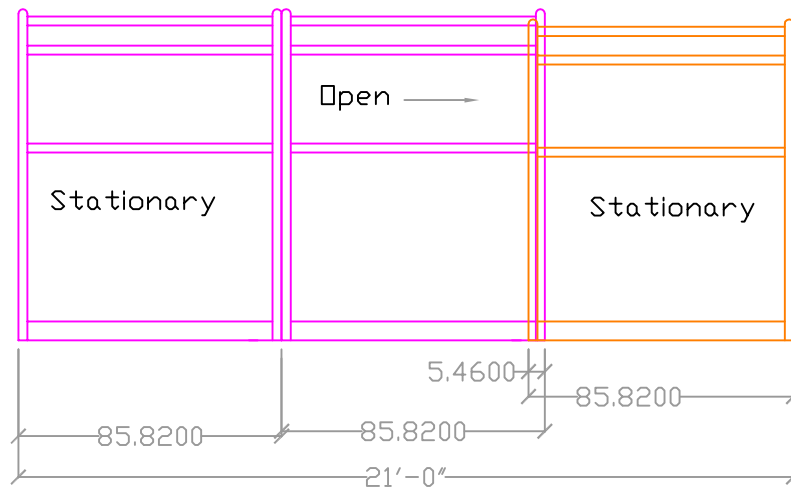
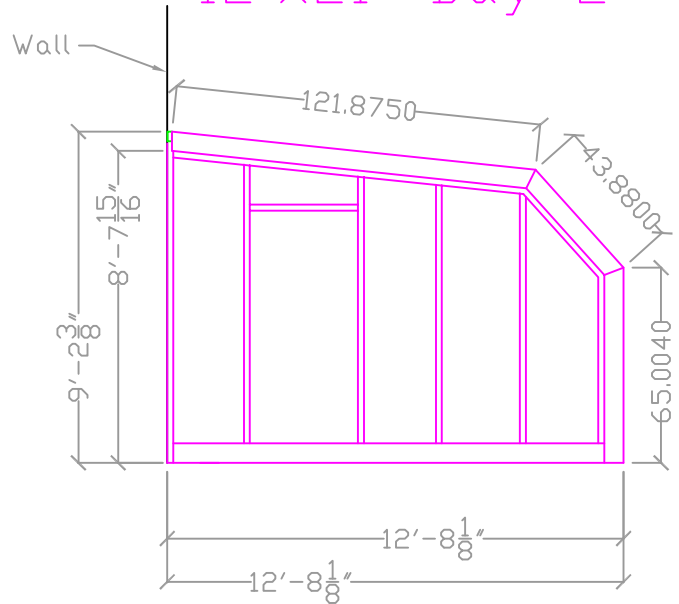


12'x21'- 3Bay Lean-to

12'x21' Bay 1



12'x21' Bay 2



Roll-A-Cover
36 Sargent Drive
Bethany, CT 06524
Tel: 203-393-7292
Fax: 203-393-7298

Job Title: Lean-to Specifications

Drawing Name: 3LT12-128

Date:

Scale: 3/16" = 1'