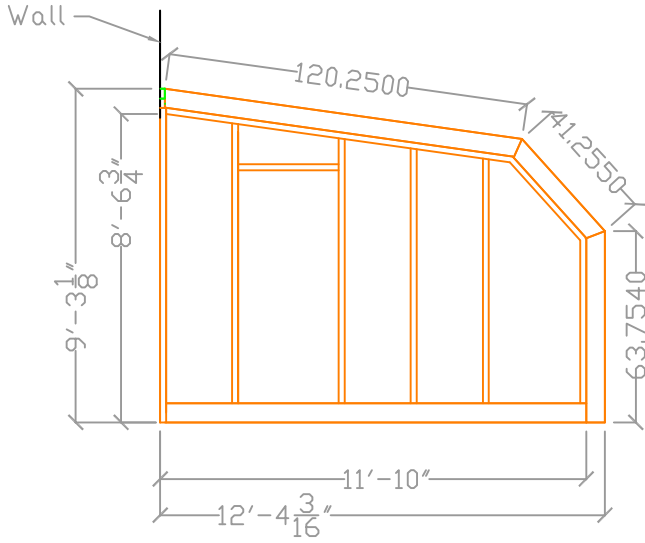
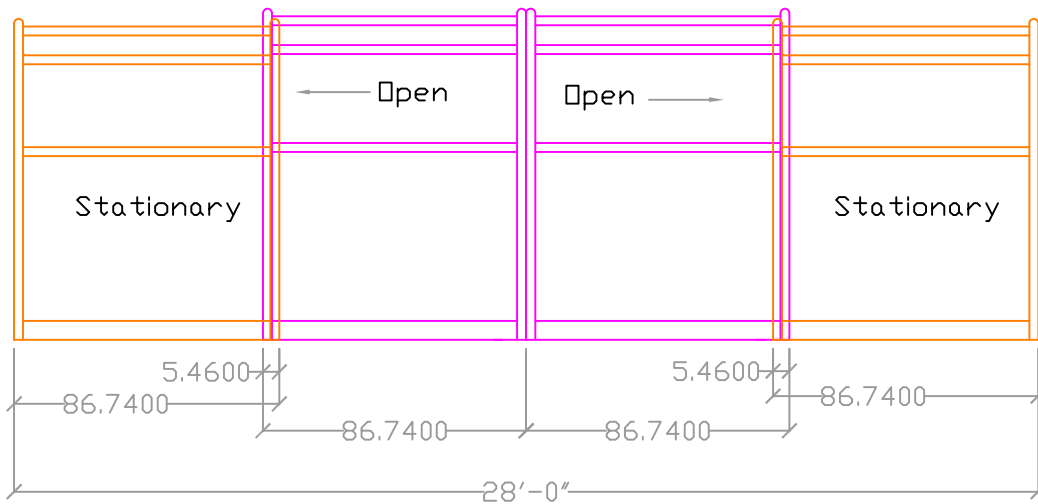
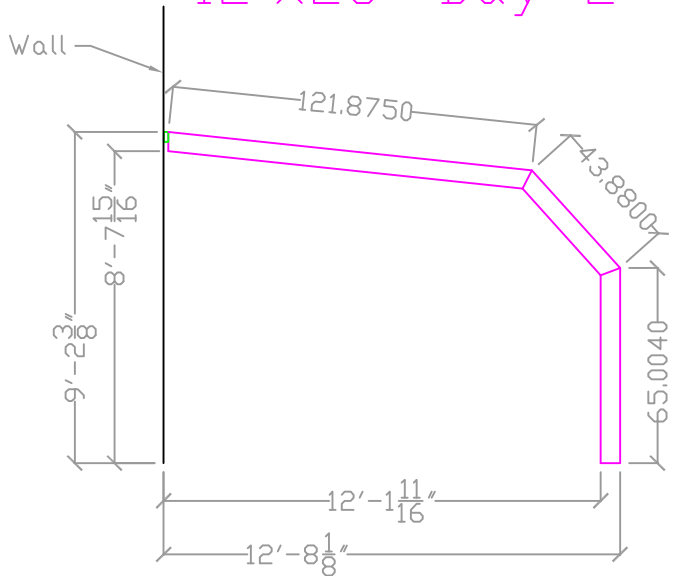


# 12'x28' 4-Bay Lean-to

## 12'x28' Bay 1



## 12'x28' Bay 2



Roll-A-Cover  
36 Sargent Drive  
Bethany, CT 06524  
Tel: 203-393-7292  
Fax: 203-393-7298

Job Title: Lean-to Specifications

Date:

Drawing Name: 4LT22-128

Scale: 3/16"=1'