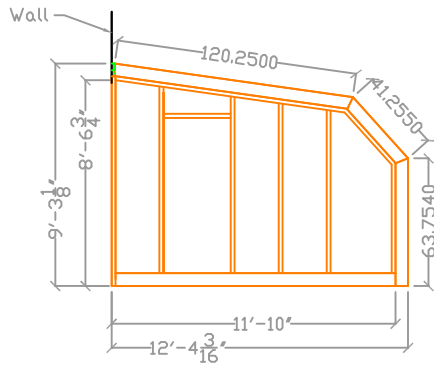
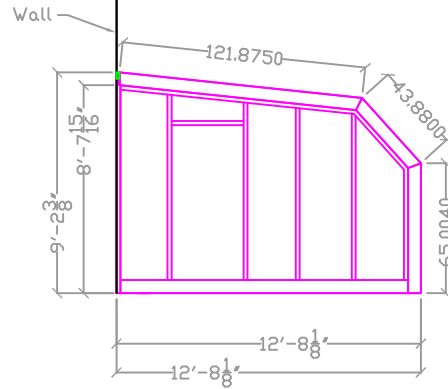


# 12'x49'- 7Bay Lean-to

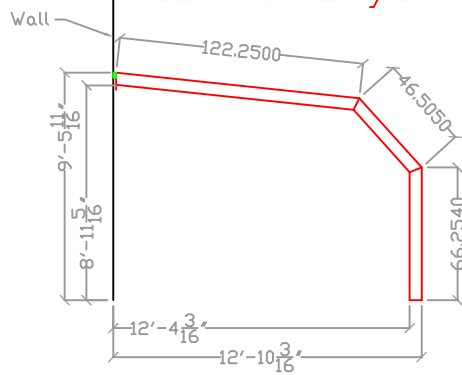
12'x49' Bay 1



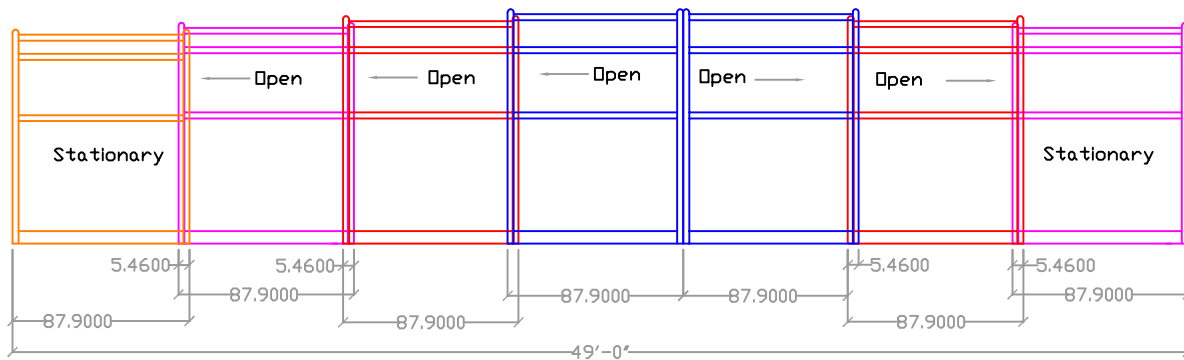
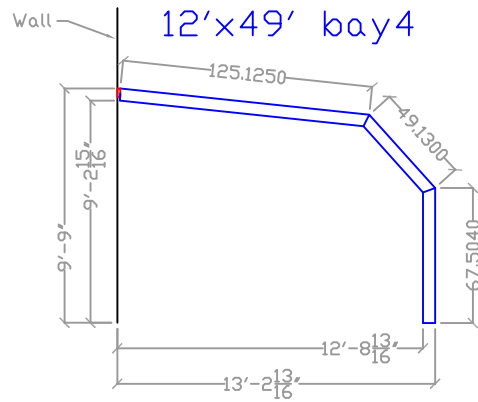
12'x49' Bay 2



12'x49' Bay 3



12'x49' bay 4



**Roll-A-Cover**

36 Sargent Drive  
Bethany, CT 06524

Tel: 203-393-7292  
Fax: 203-393-7298

Job Title: Lean-to Specifications

Date:

Drawing Name: 7LT34-128

Scale:  $\frac{1}{8}'' = 1'$