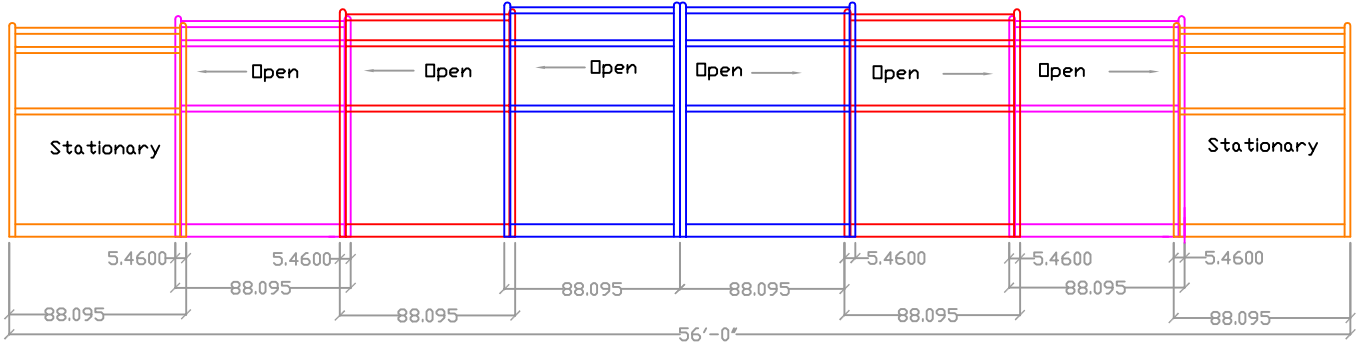
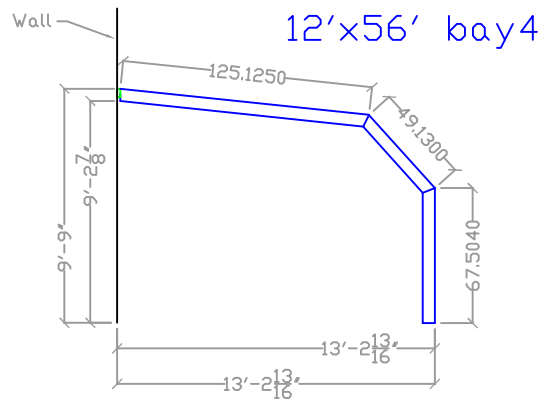
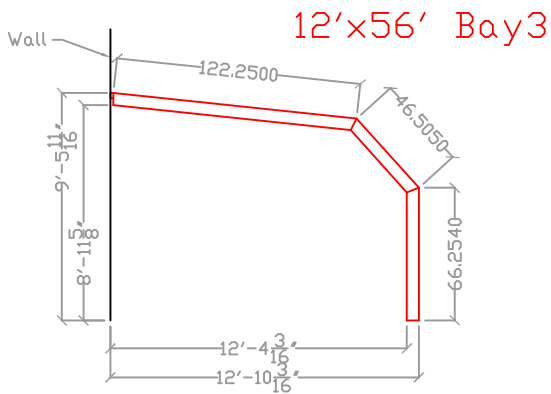
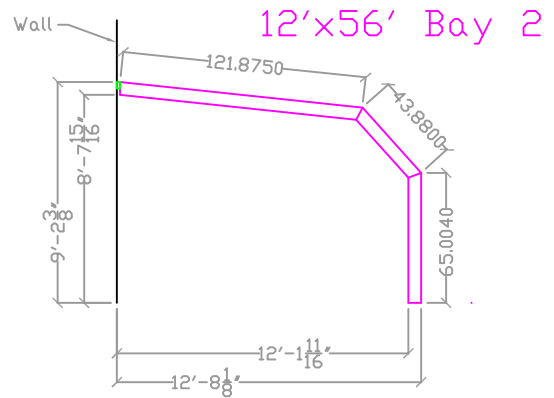
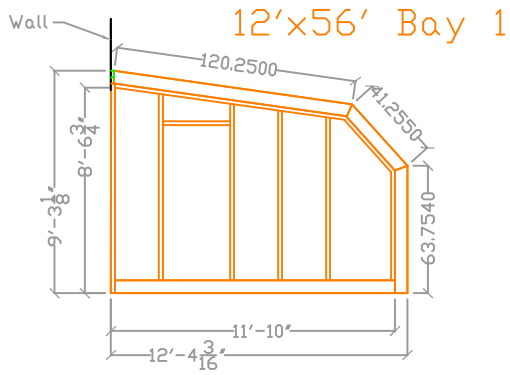


12'x56'- 8-Bay Lean-to



Roll-A-Cover
 36 Sargent Drive
 Bethany, CT 06524
 Tel: 203-393-7292
 Fax: 203-393-7298

www.Roll-A-Cover.com

Job Title: Lean-to Specifications

Date:

Drawing Name: 8LT44-128

Scale: $\frac{1}{8}'' = 1'$