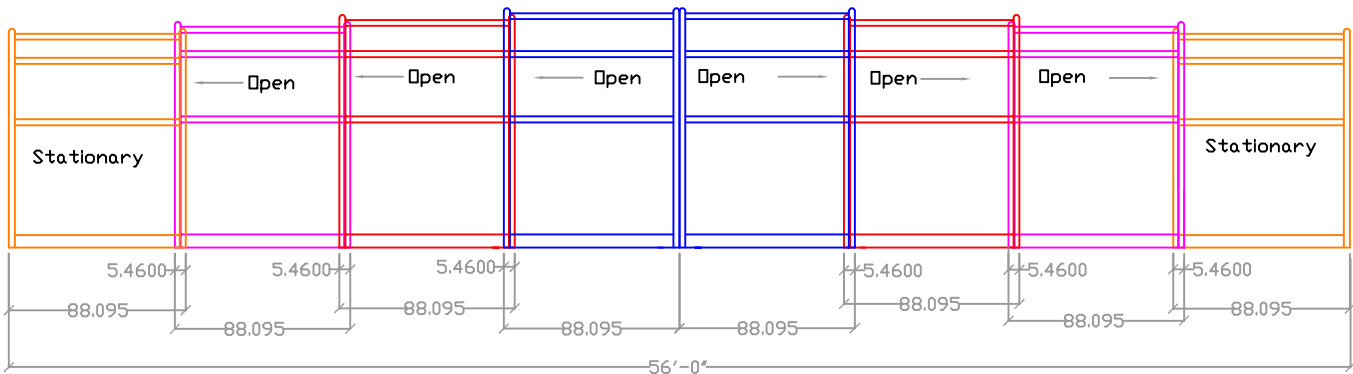
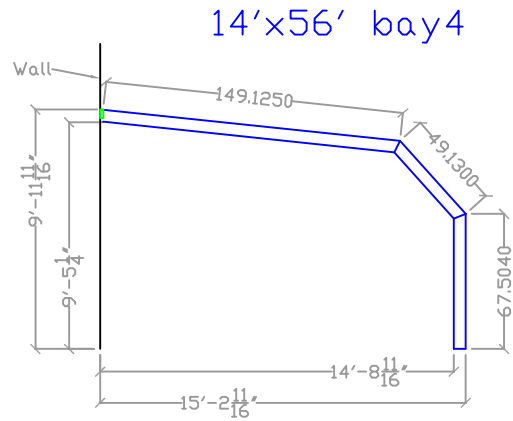
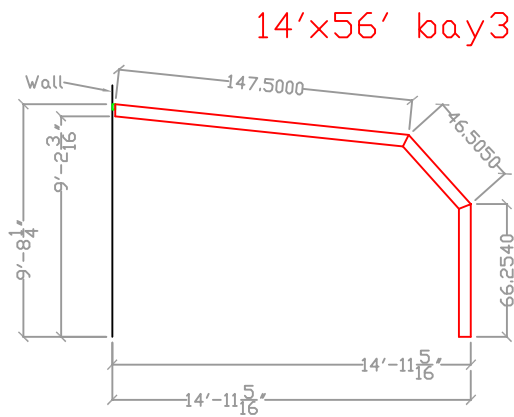
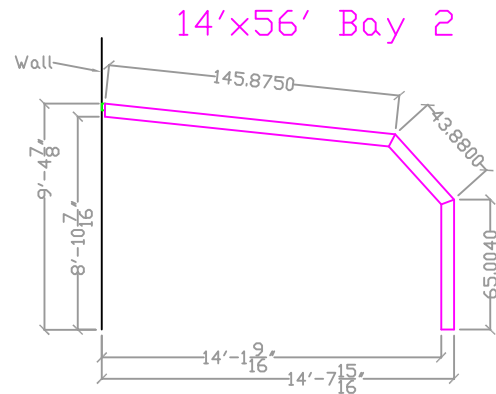
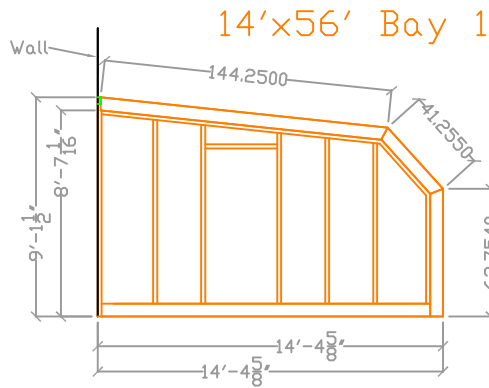


# 14'x56'- 8 Bay Lean-to



**Roll-A-Cover**  
 36 Sargent Drive  
 Bethany, CT 06524

Tel: 203-393-7292  
 Fax: 203-393-7298

Job Title: Lean-to Specifications

Date:

Drawing Name: 8LT44-148

Scale: 1/8" = 1'