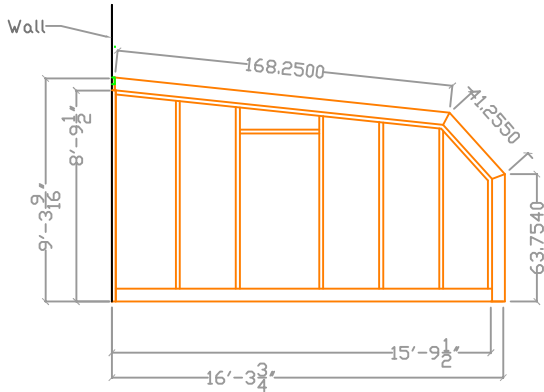
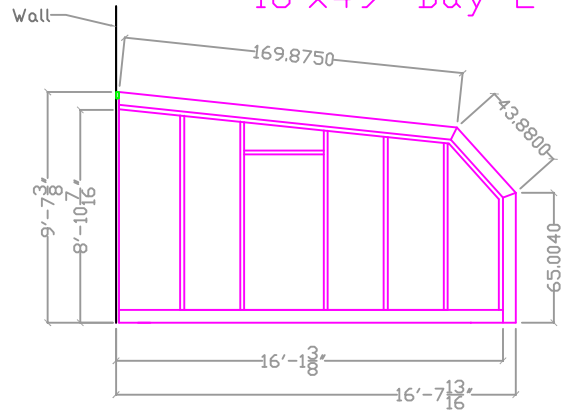


# 16'x49' 7-Bay Lean-to

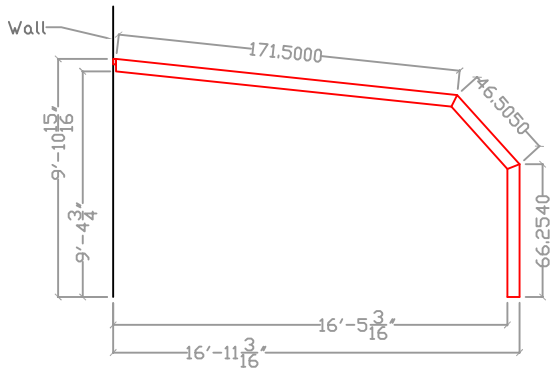
16'x49' Bay 1



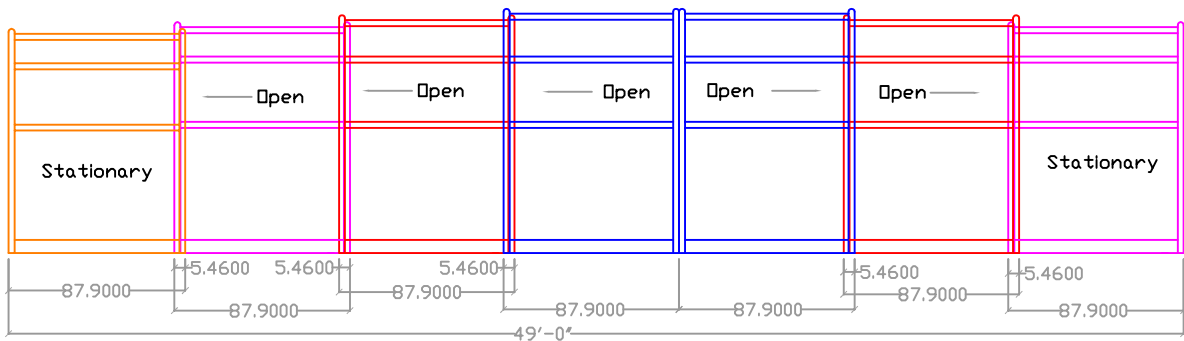
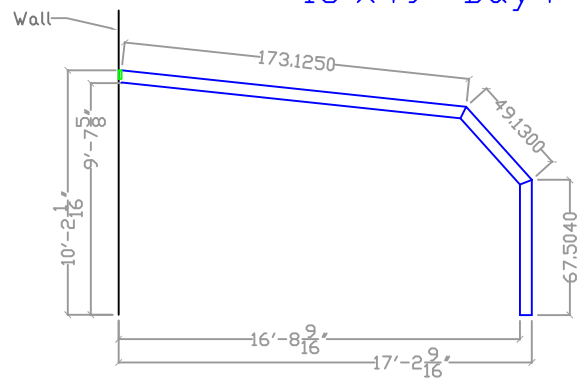
16'x49' Bay 2



16'x49' Bay 3



16'x49' Bay 4



**Roll-A-Cover**  
 36 Sargent Drive  
 Bethany, CT 06524

Tel: 203-393-7292  
 Fax: 203-393-7298

Job Title: Lean-to Specifications

Date:

Drawing Name: 7LT34-168

Scale: 1/8" = 1'