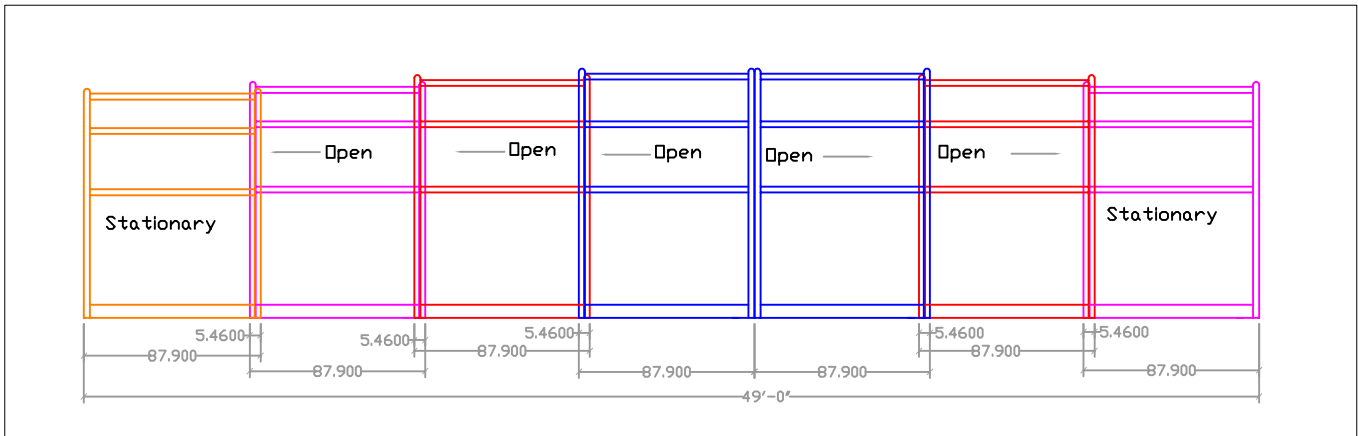
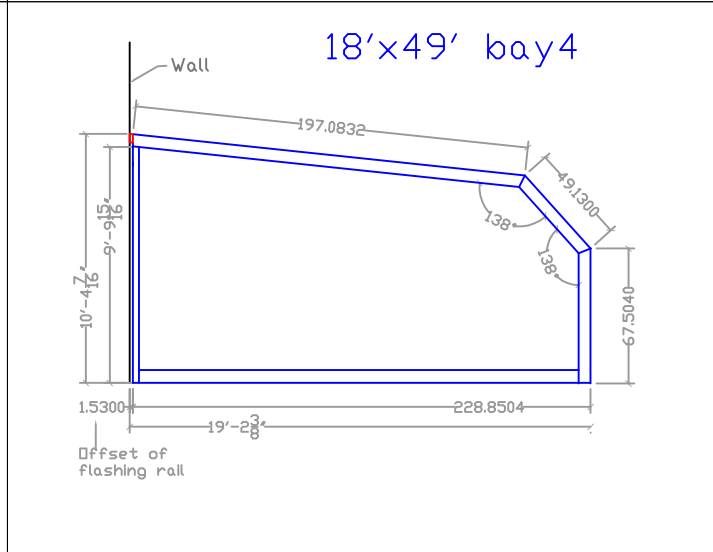
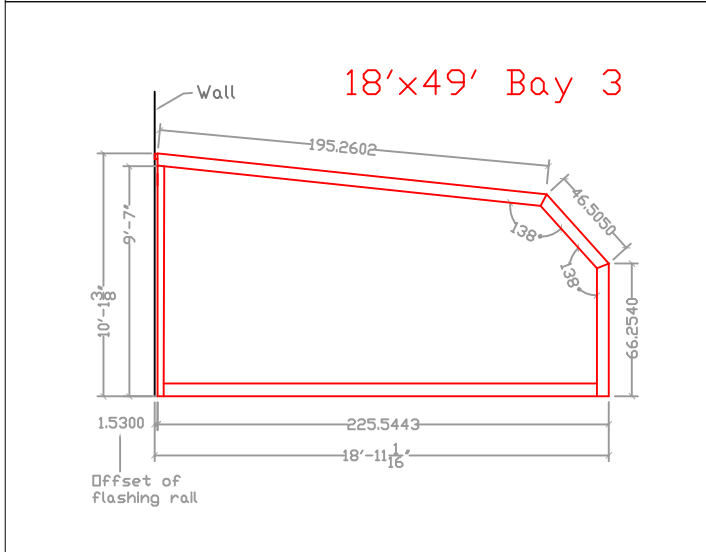
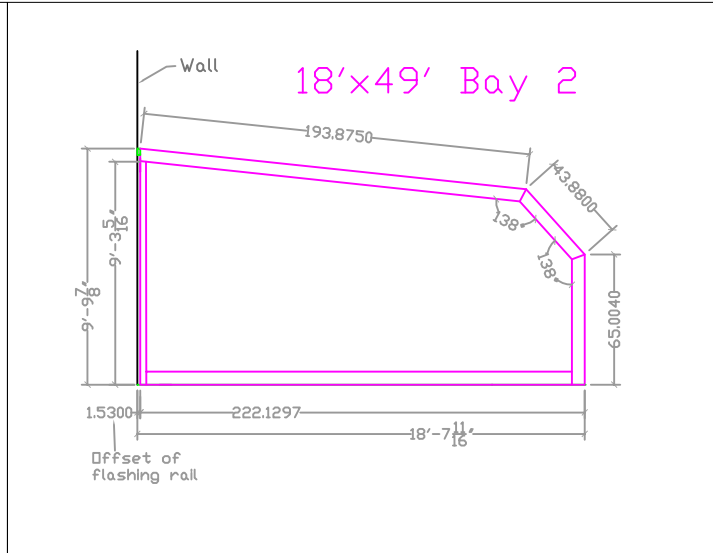
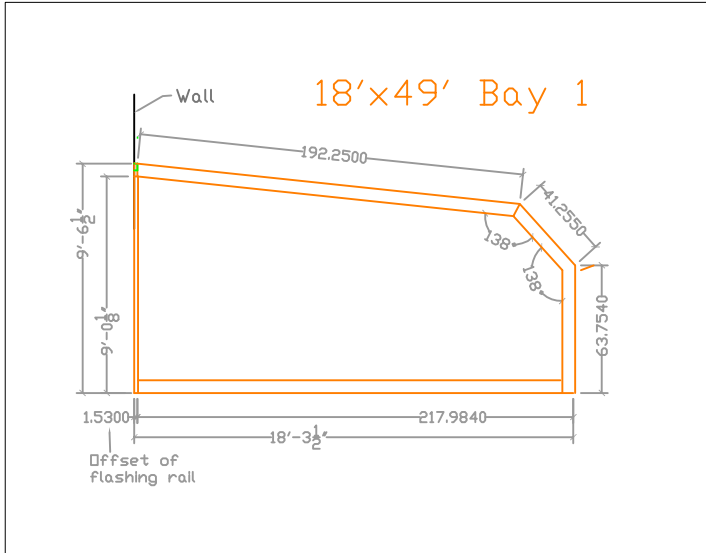


18'x49' 7-Bay Lean-to



www.Roll-A-Cover.com

Roll-A-Cover

36 Sargent Drive
Bethany, CT 06524

Tel: 203-393-7292
Fax: 203-393-7298

Job Title: Lean-to Specifications

Date:

Drawing Name: 7LT34-188

Scale: 1/8" = 1'