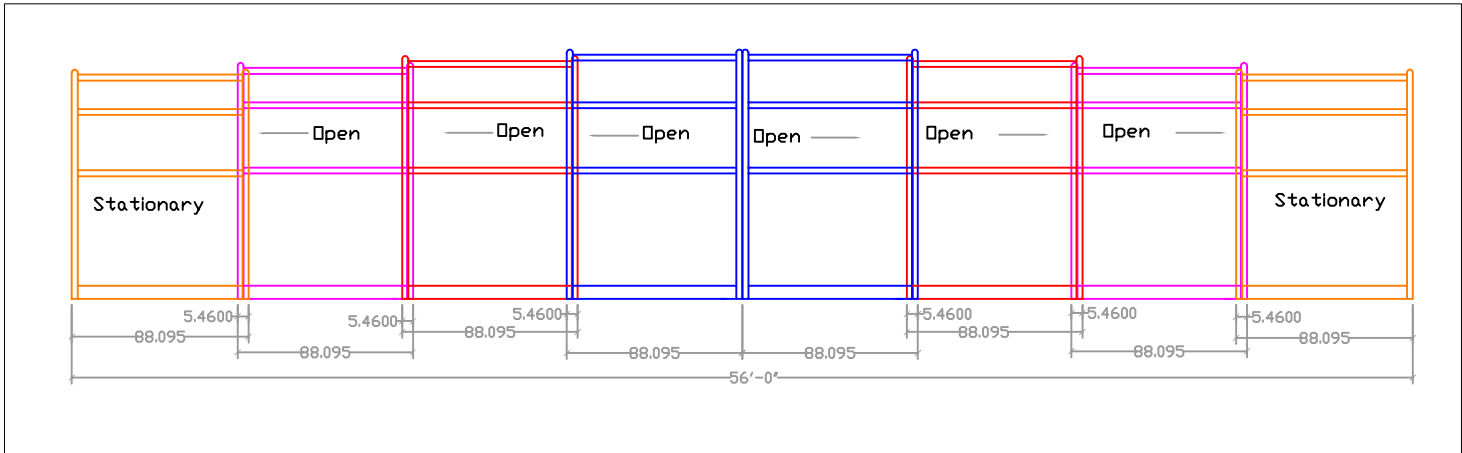
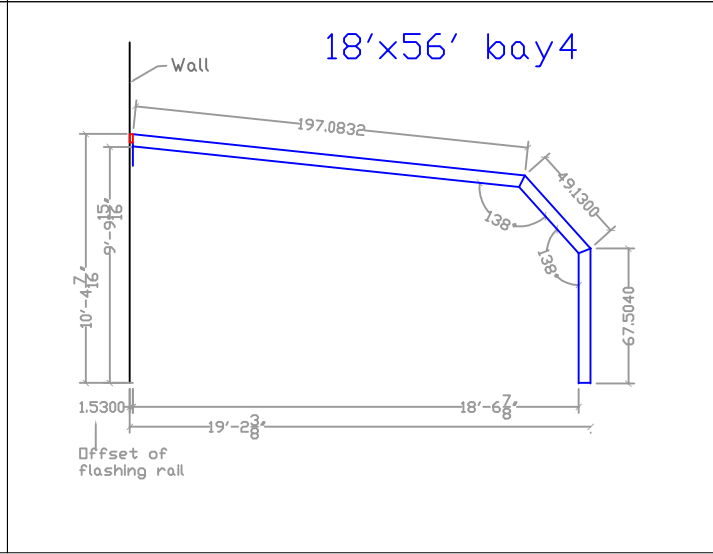
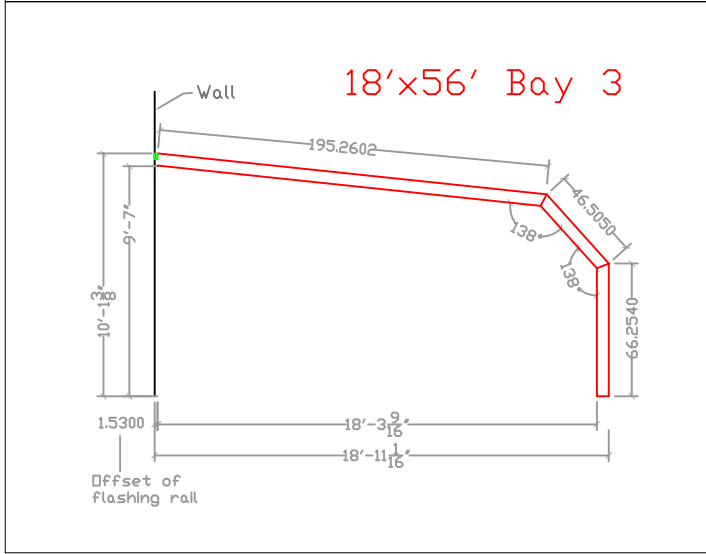
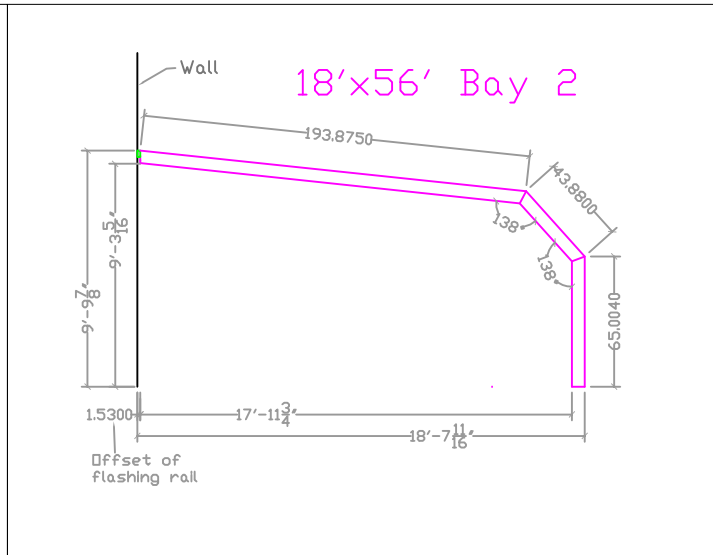
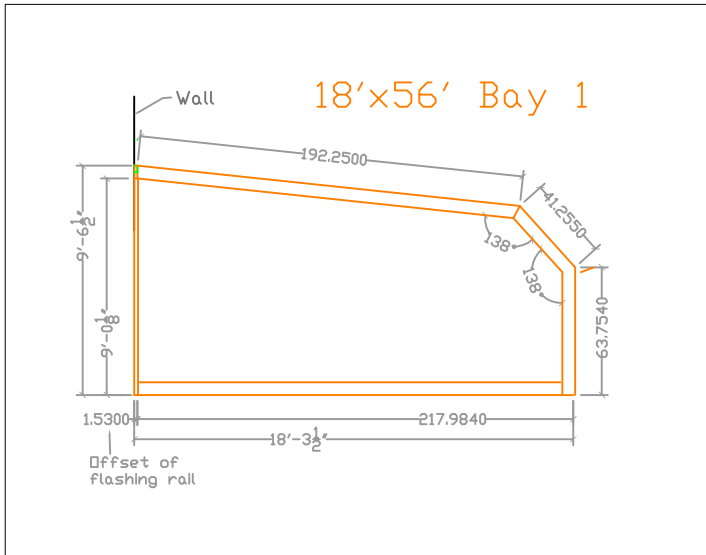


18'x56' 8-Bay Lean-to



Roll-A-Cover
 36 Sargent Drive
 Bethany, CT 06524
 Tel: 203-393-7292
 Fax: 203-393-7298

Job Title: Lean-to Specifications
 Drawing Name: 8LT44-188

Date:
 Scale: 1/8" = 1'