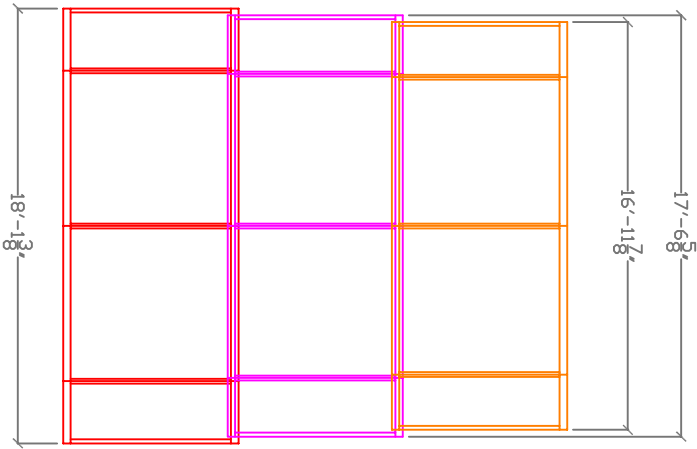
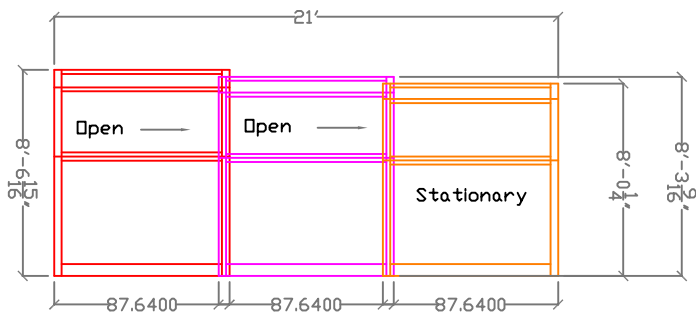


16' x 21' 3 bay Enclosure

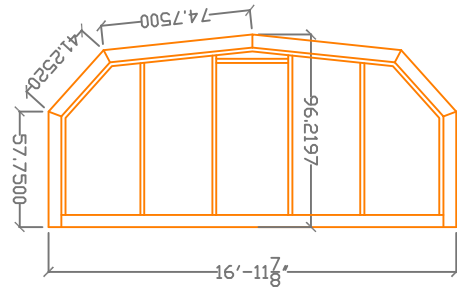


Top View

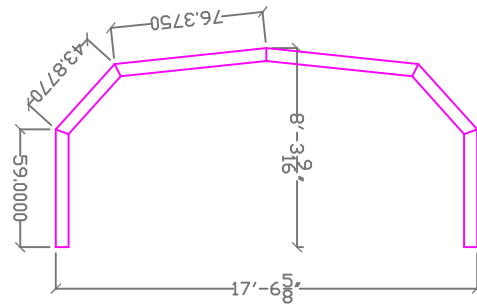


Side Elevation

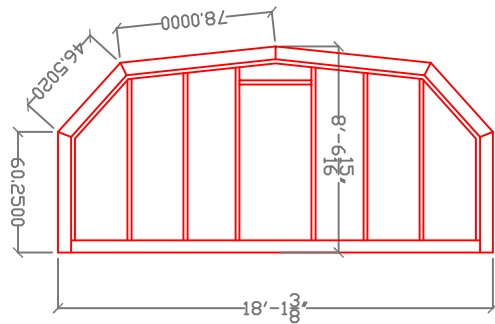
16' Enclosure bay 1



16' Enclosure bay 2



16' Enclosure bay 3



www.Roll-A-Cover.com

Roll-A-Cover

36 Sargent Drive  
Bethany, CT 06524

Tel: 203-393-7292  
Fax: 203-393-7298

Job Title: Enclosure Specifications

Date:

Drawing Name: 3SP03-168

Scale: 1/8" = 1'