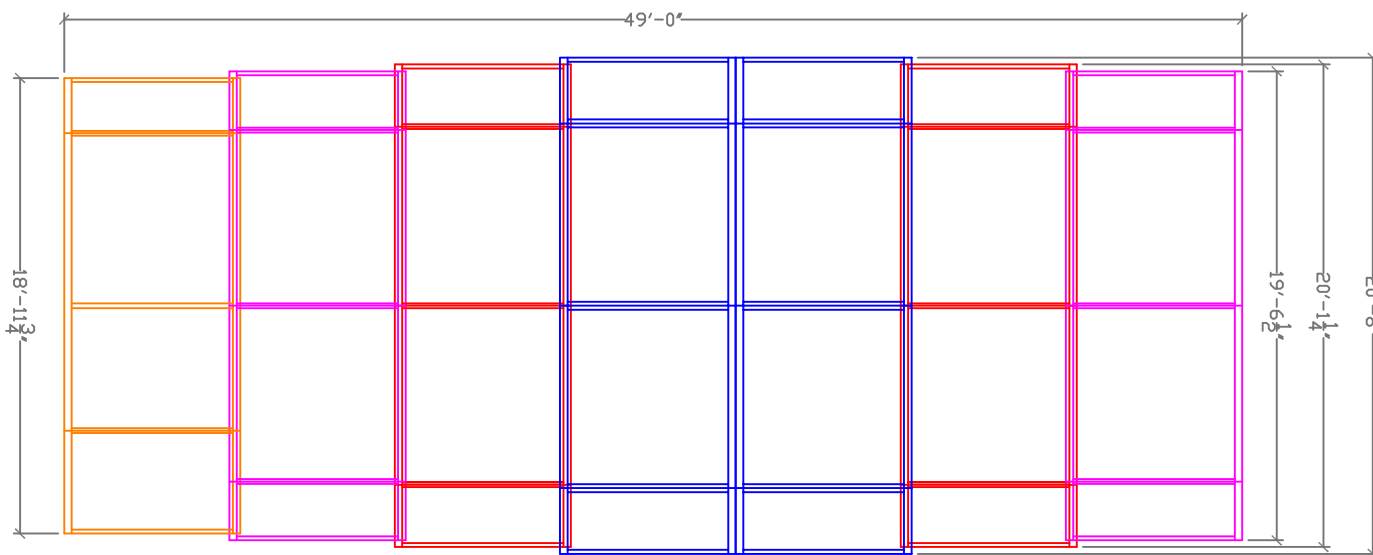
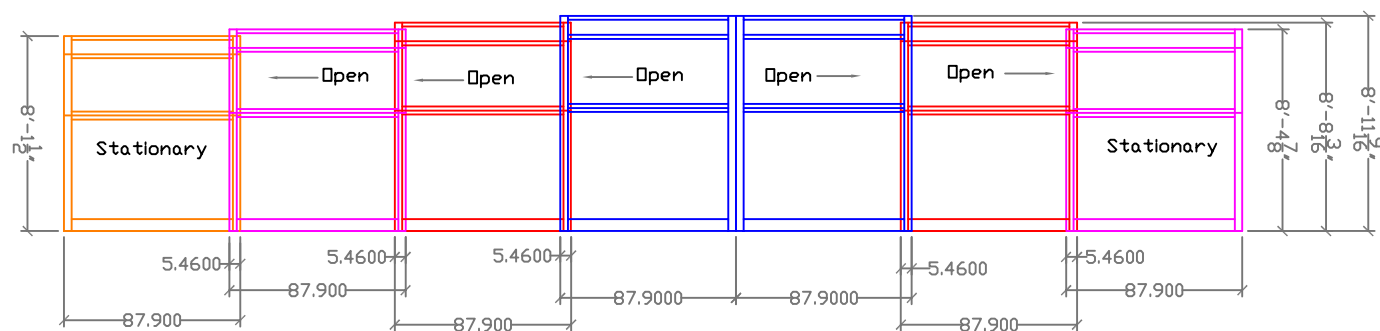


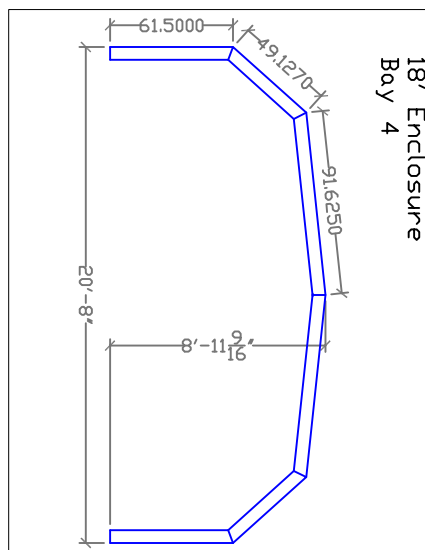
18'x49' 7 Bay Enclosure



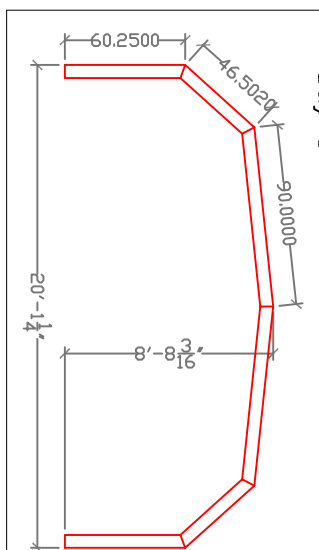
Top View



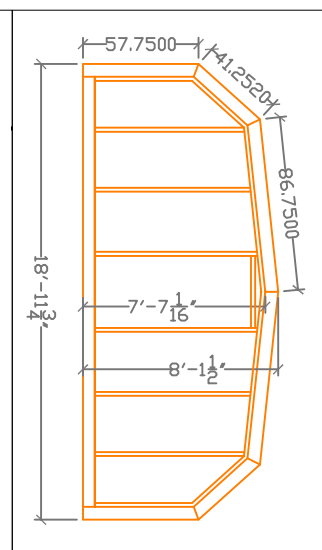
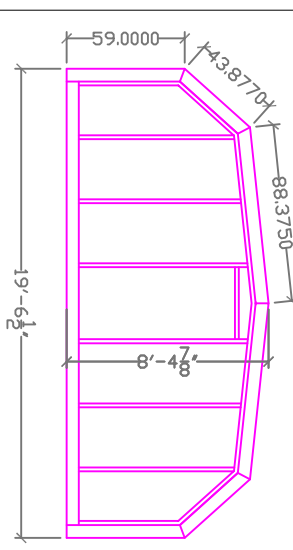
Side Elevation



18' Enclosure Bay 4



Bay 3



www.Roll-A-Cover.com

Roll-A-Cover
36 Sargent Drive
Bethany, CT 06524

Tel: 203-393-7292
Fax: 203-393-7298

Job Title: Enclosure Specifications

Date:

Drawing Name: 7SP34-188

Scale: 1/8" = 1'